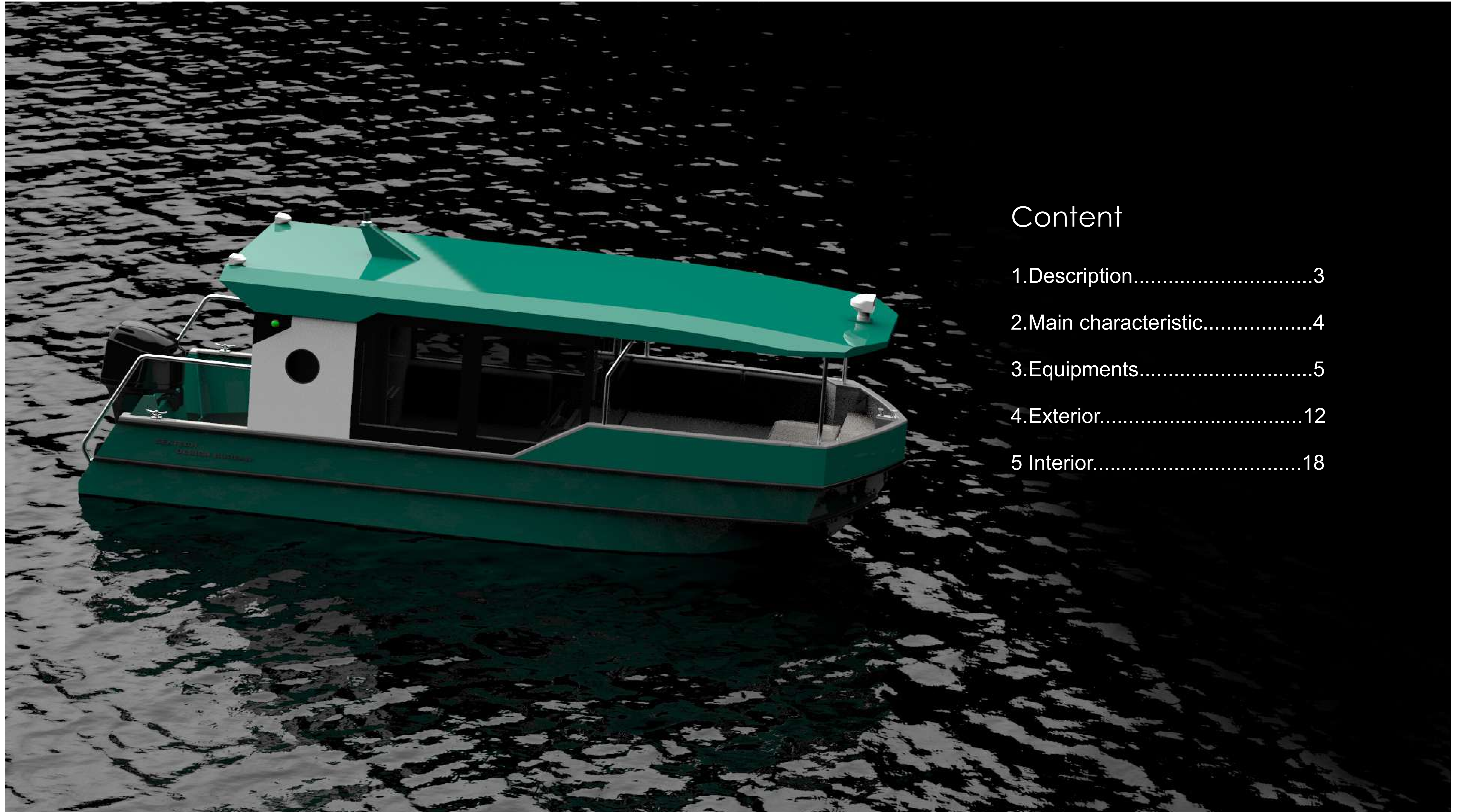


MODEL RANGE OF LEISURE BOATS «RAZNEZHIE»



Project ST6HB

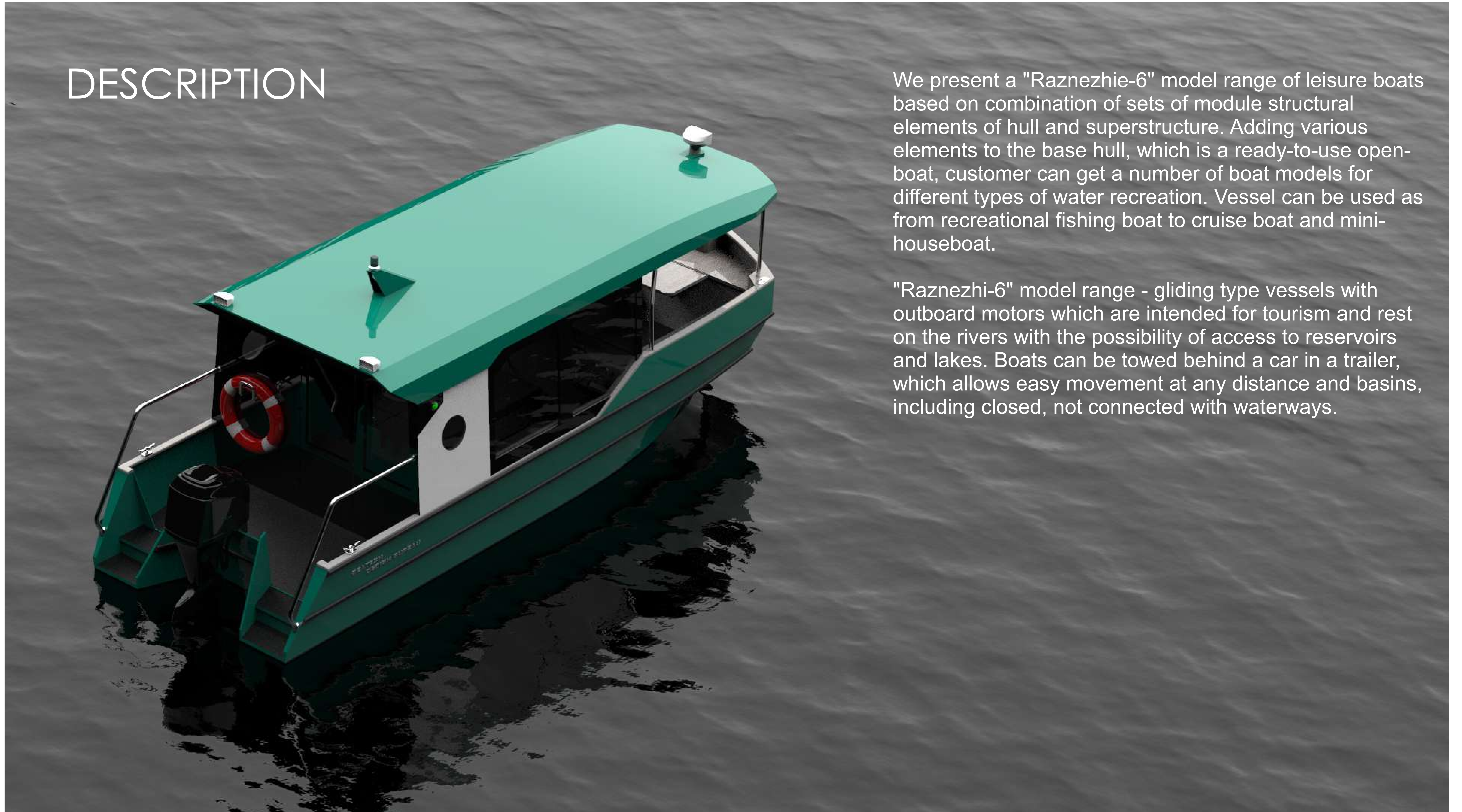
Concept project



Content

1. Description.....	3
2. Main characteristic.....	4
3. Equipments.....	5
4. Exterior.....	12
5 Interior.....	18

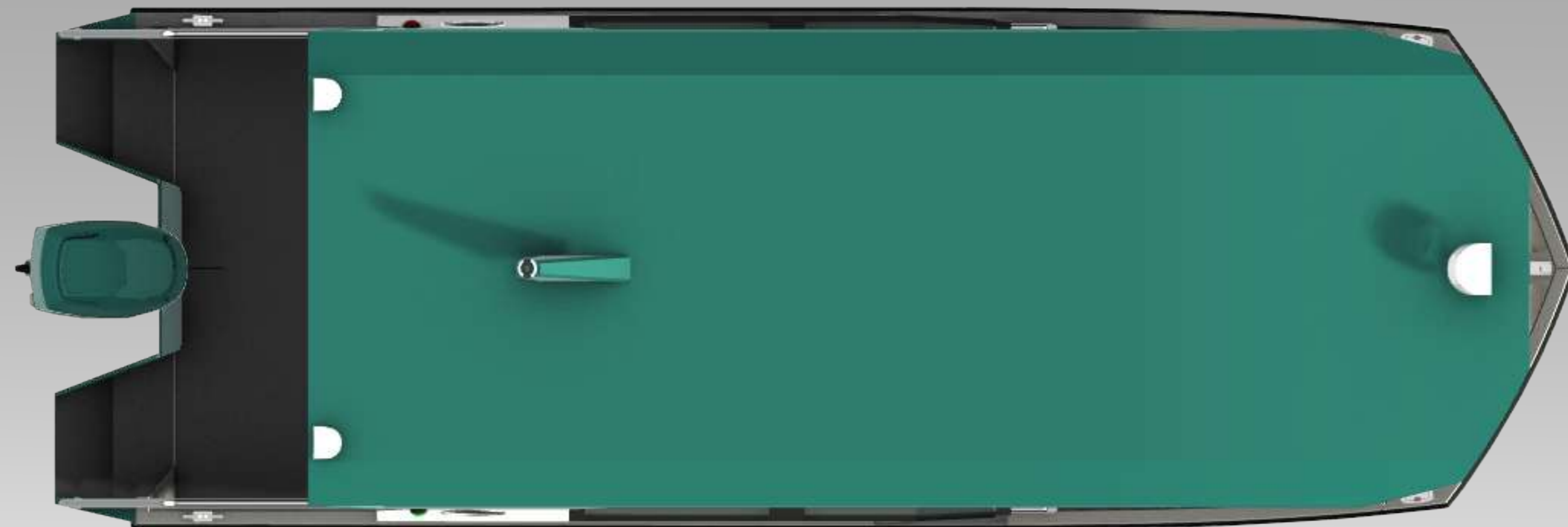
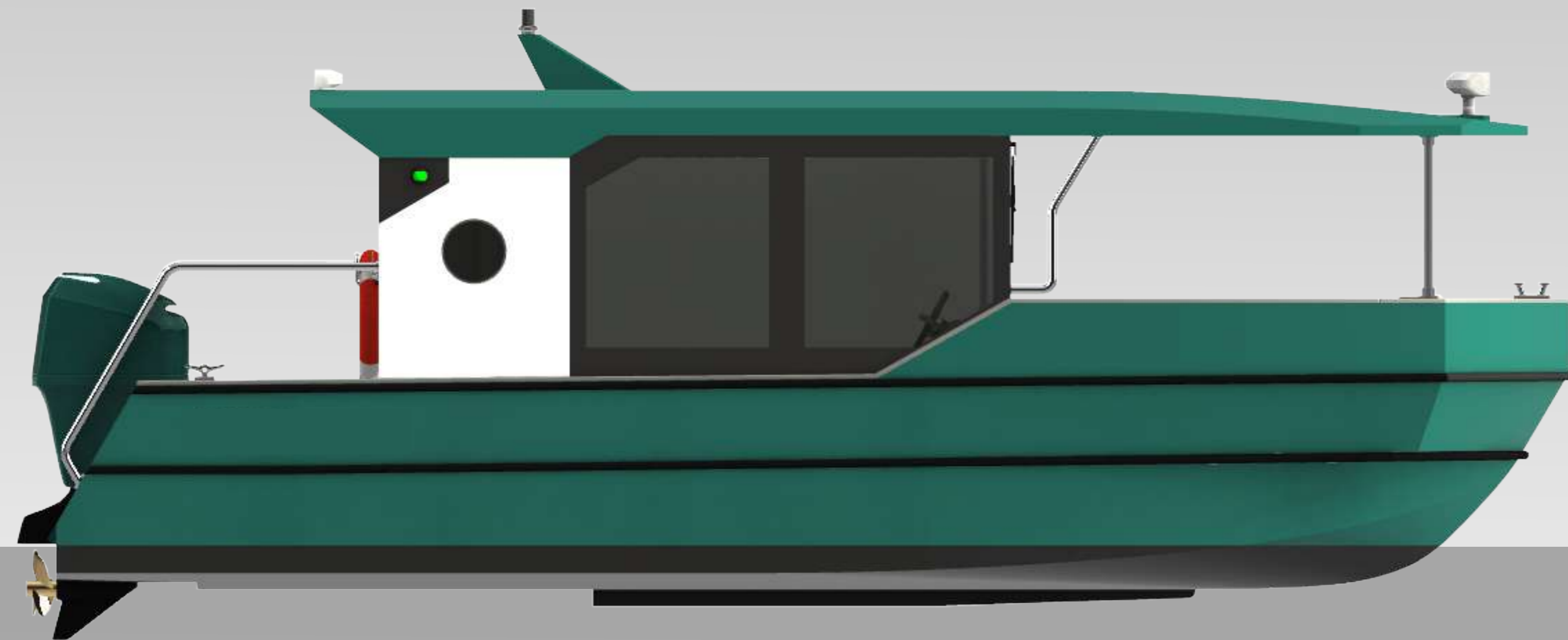
DESCRIPTION



We present a "Raznezhie-6" model range of leisure boats based on combination of sets of module structural elements of hull and superstructure. Adding various elements to the base hull, which is a ready-to-use open-boat, customer can get a number of boat models for different types of water recreation. Vessel can be used as from recreational fishing boat to cruise boat and mini-houseboat.

"Raznezhie-6" model range - gliding type vessels with outboard motors which are intended for tourism and rest on the rivers with the possibility of access to reservoirs and lakes. Boats can be towed behind a car in a trailer, which allows easy movement at any distance and basins, including closed, not connected with waterways.

MAIN CHARACTERISTIC

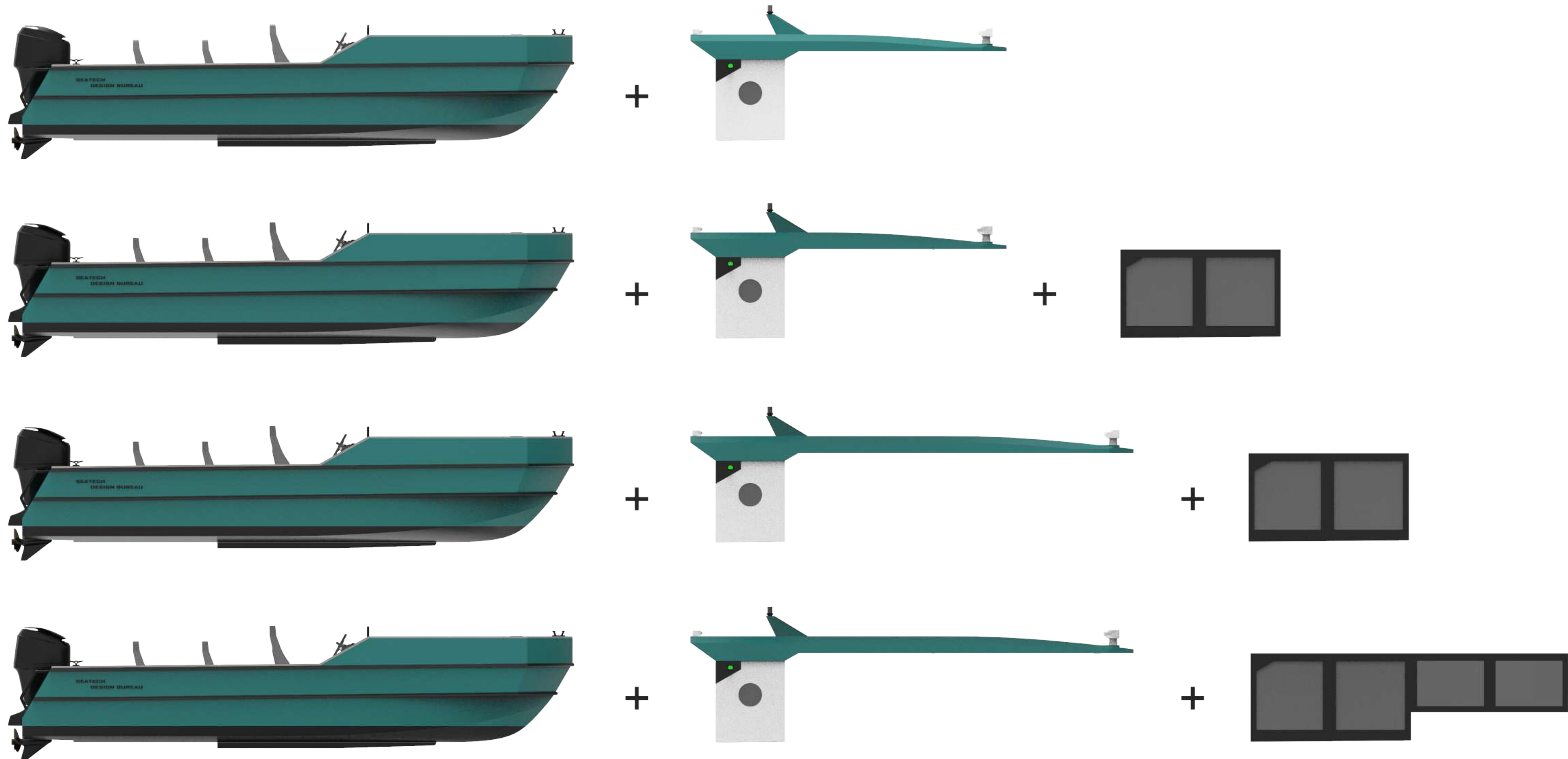


Length overall, mm	7000
Beam, mm	2400
Height overall, mm	2750
Length on DWL, mm	6380
Beam on DWL, mm	2135
Depth, mm	1000/1300
Draught, mm	200
Displacement (full load), t	1,60
Cruising speed, knots	30
Engine power	115
Passenger capacity	9
Crew	1

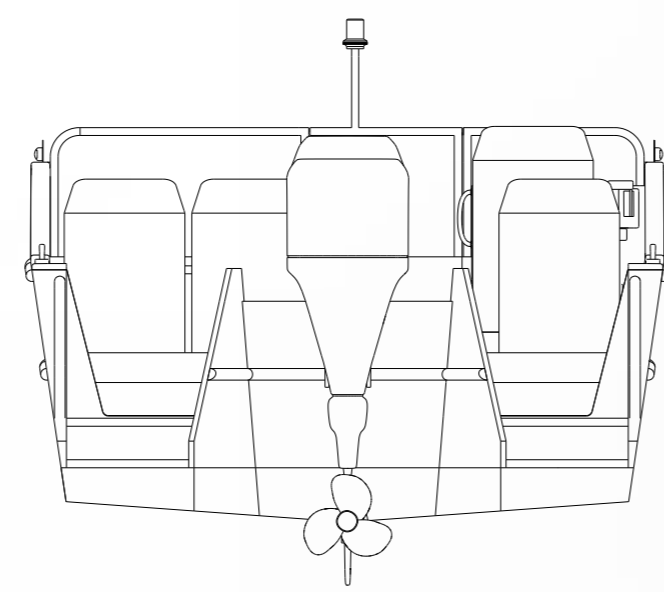
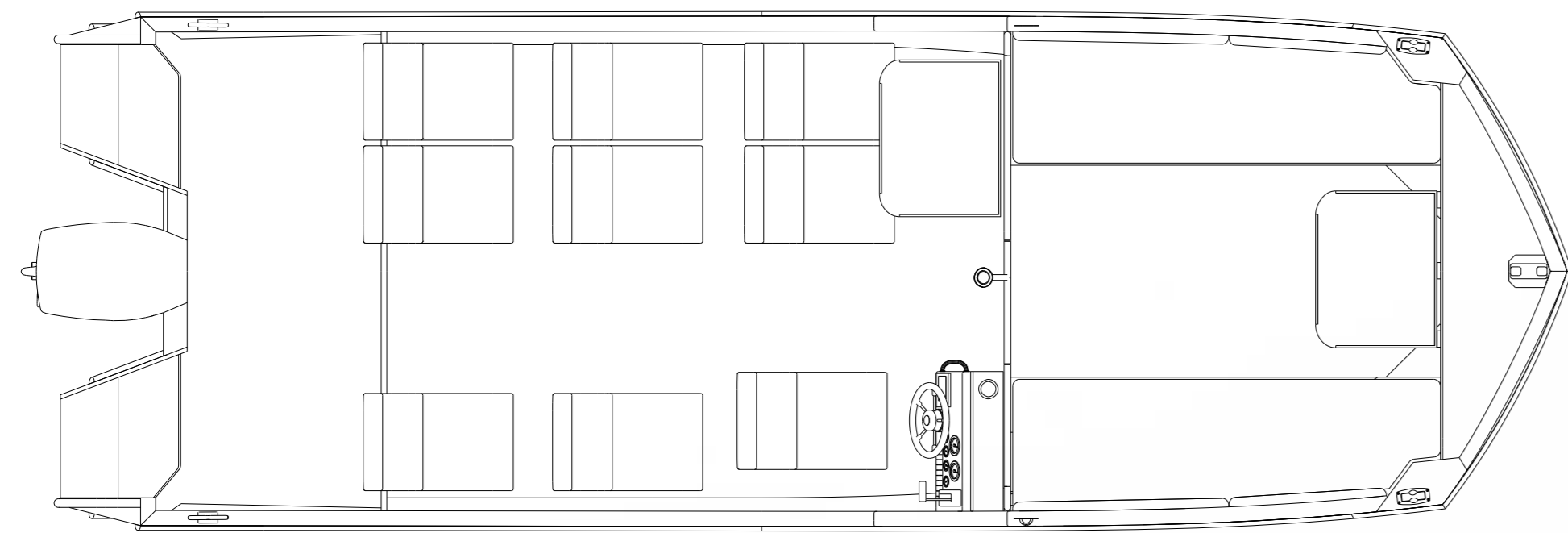
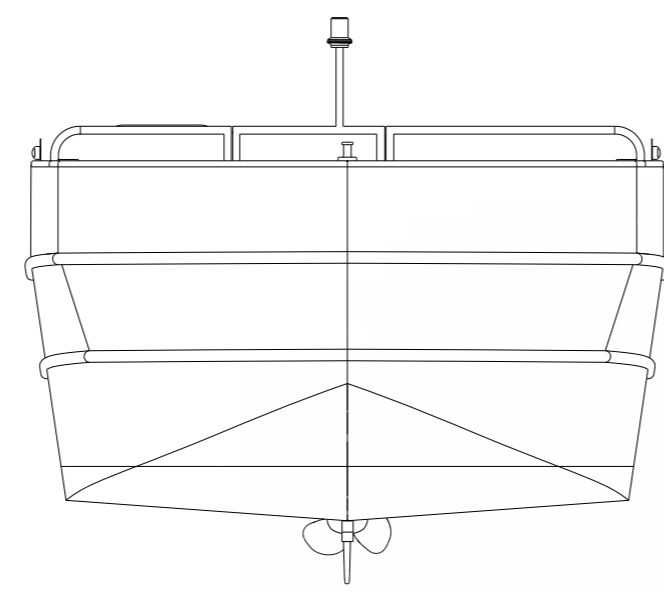
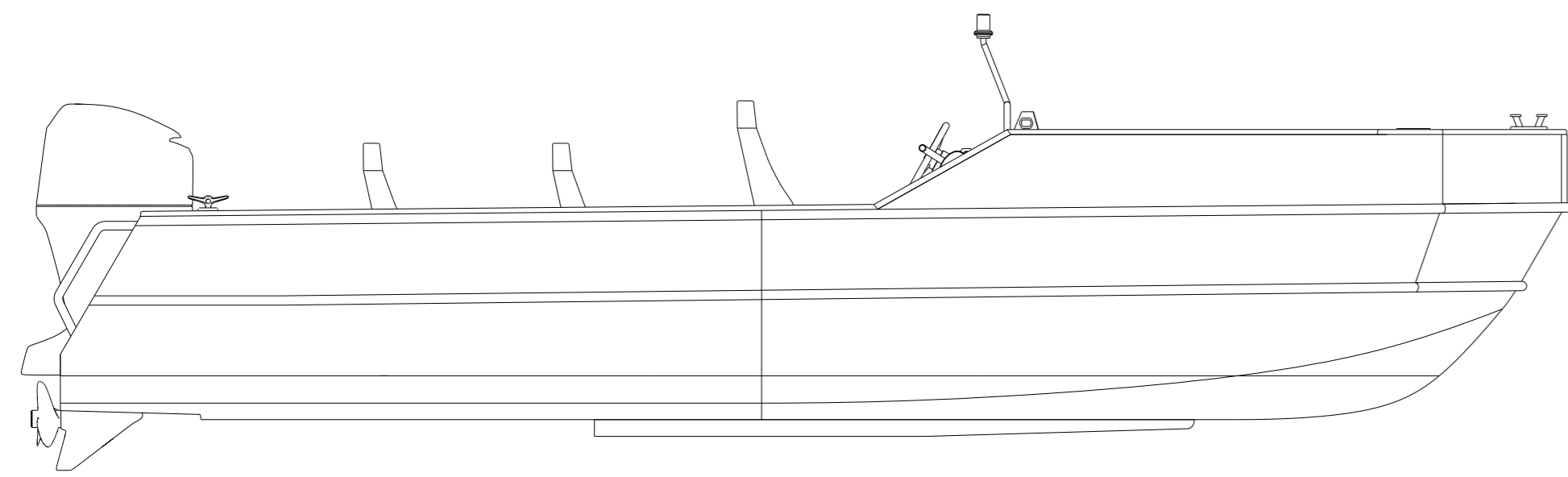
EQUIPMENTS



MAIN MODULES

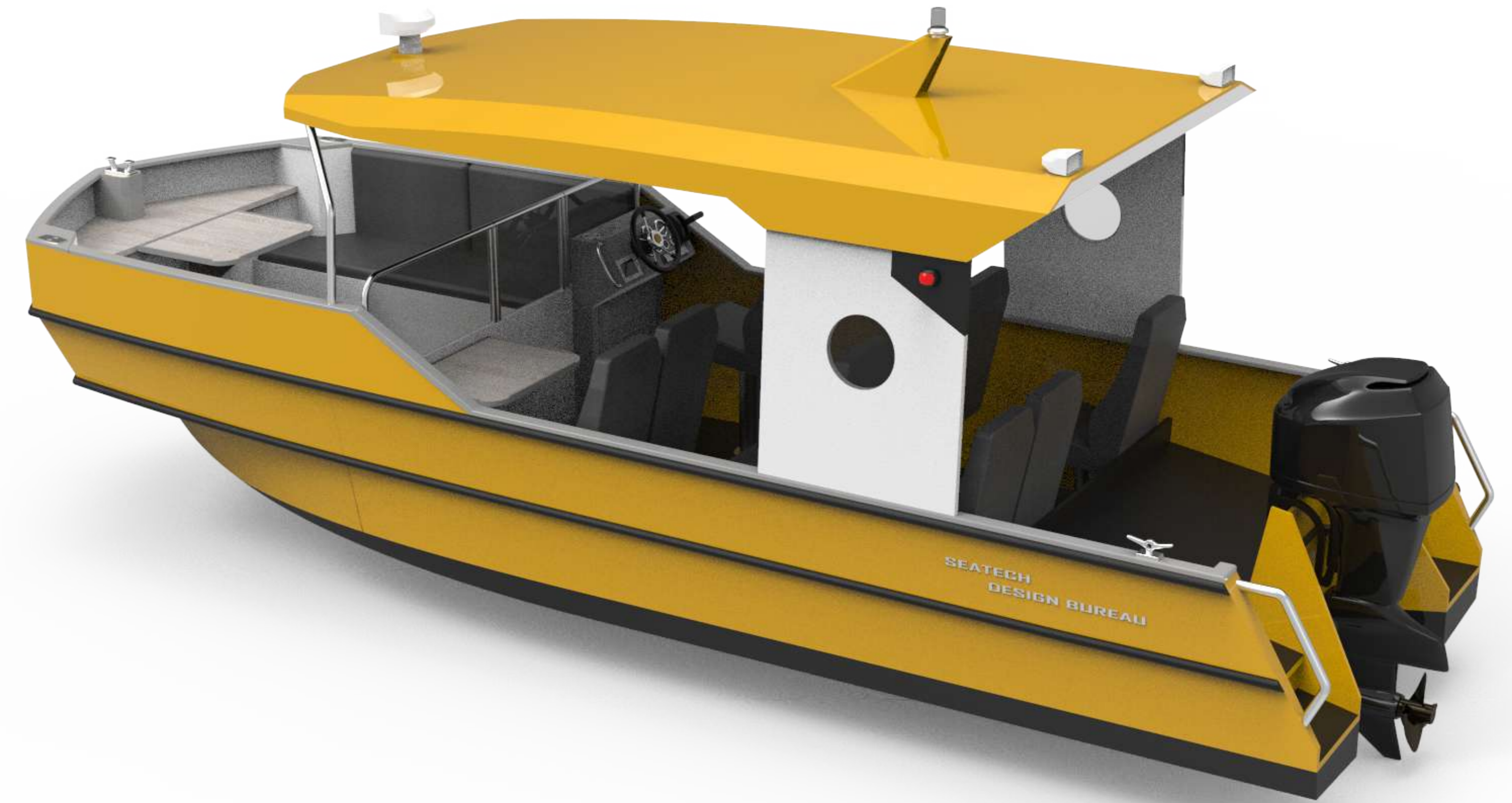
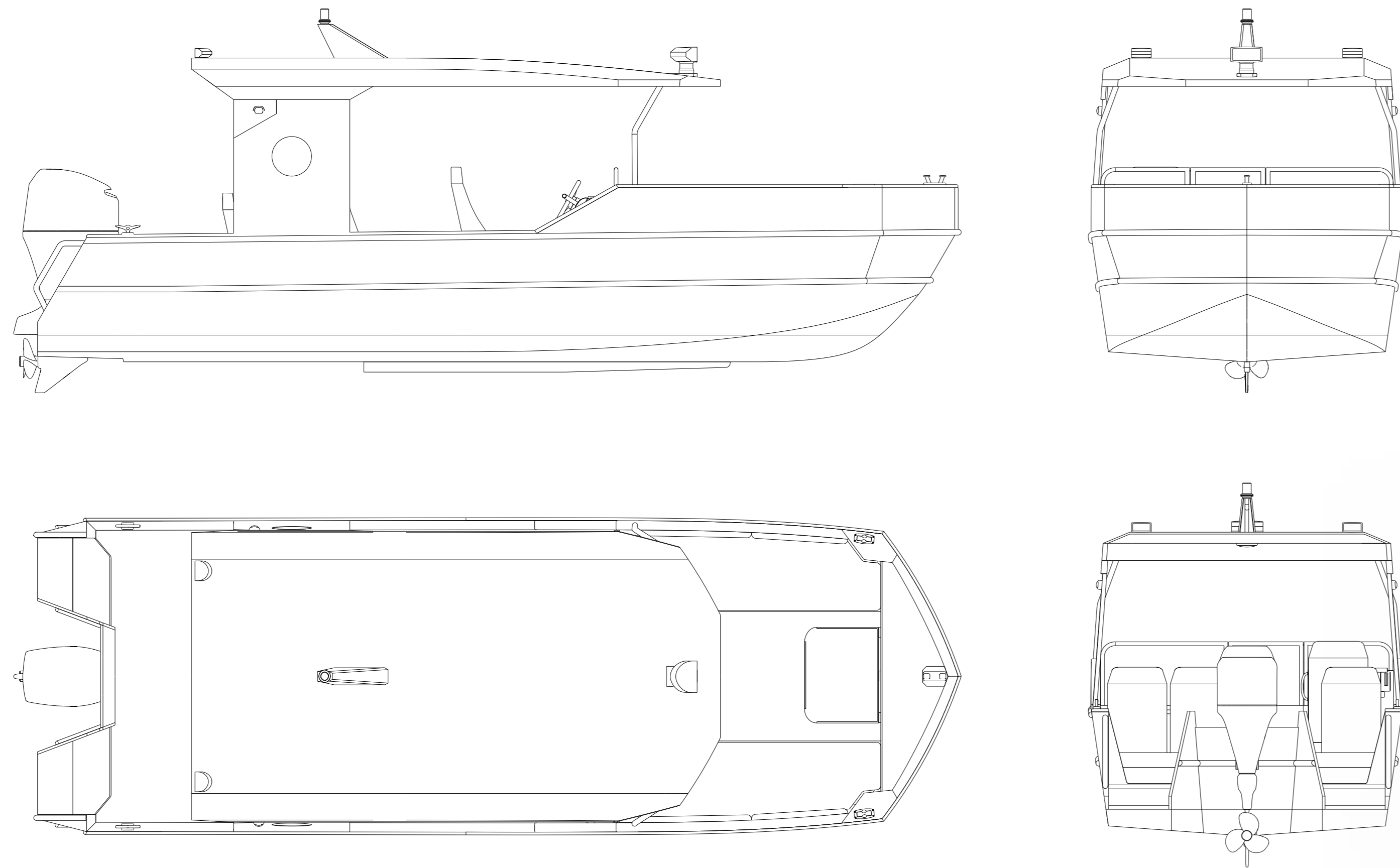


open boat



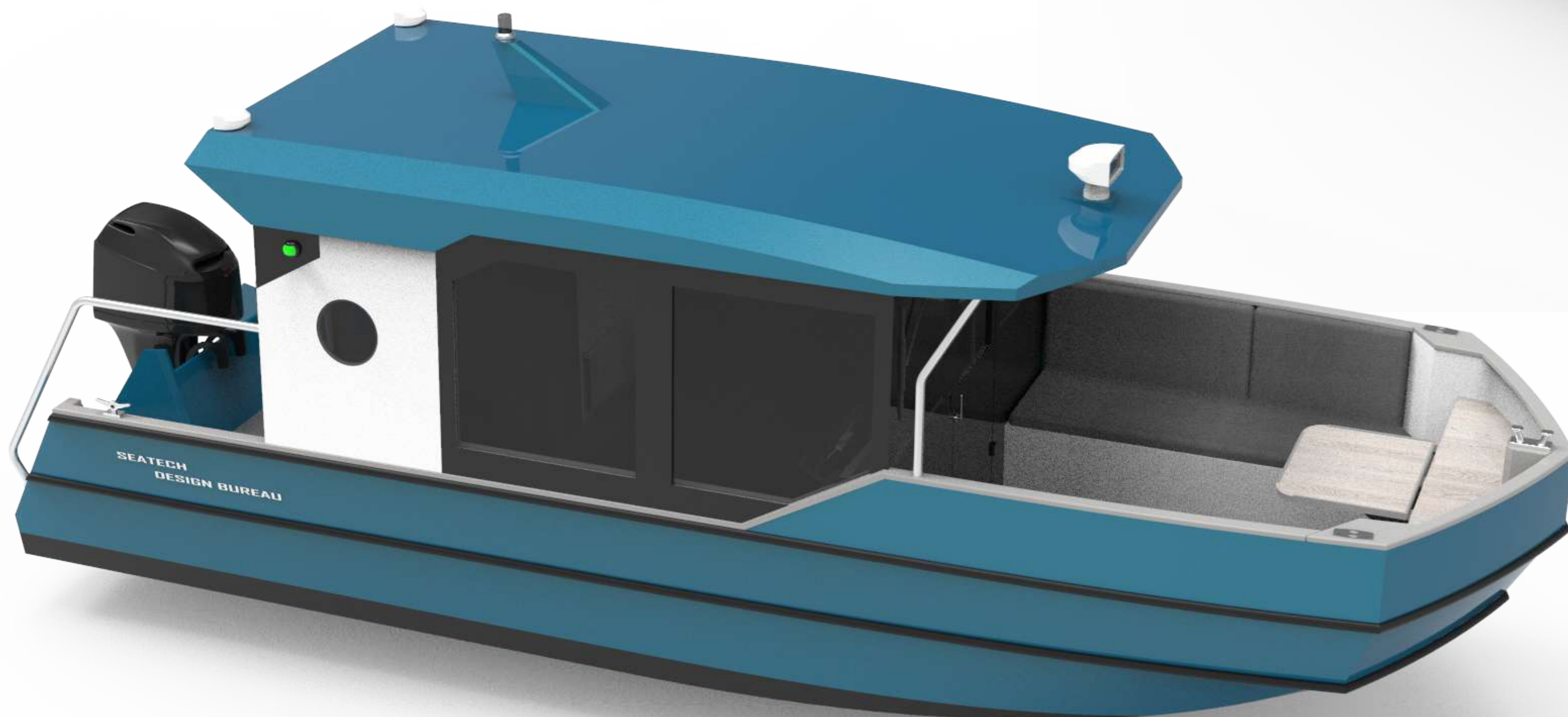
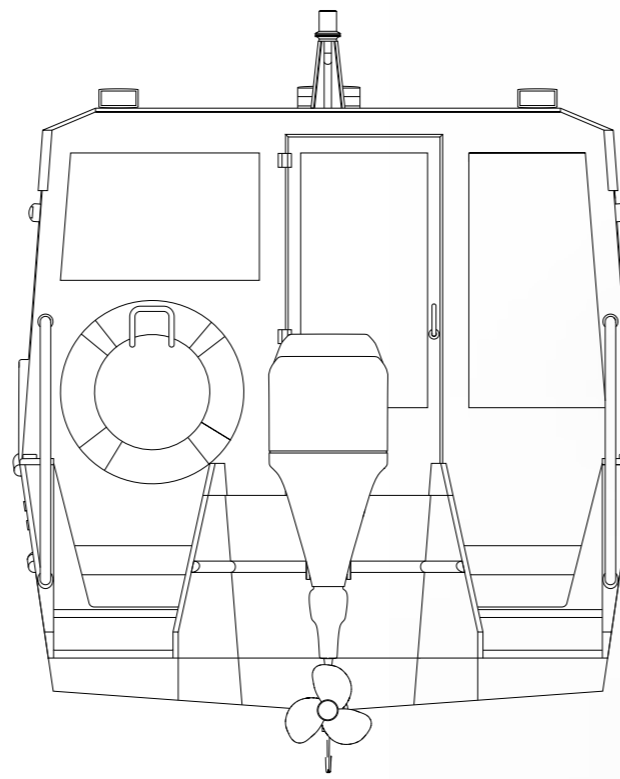
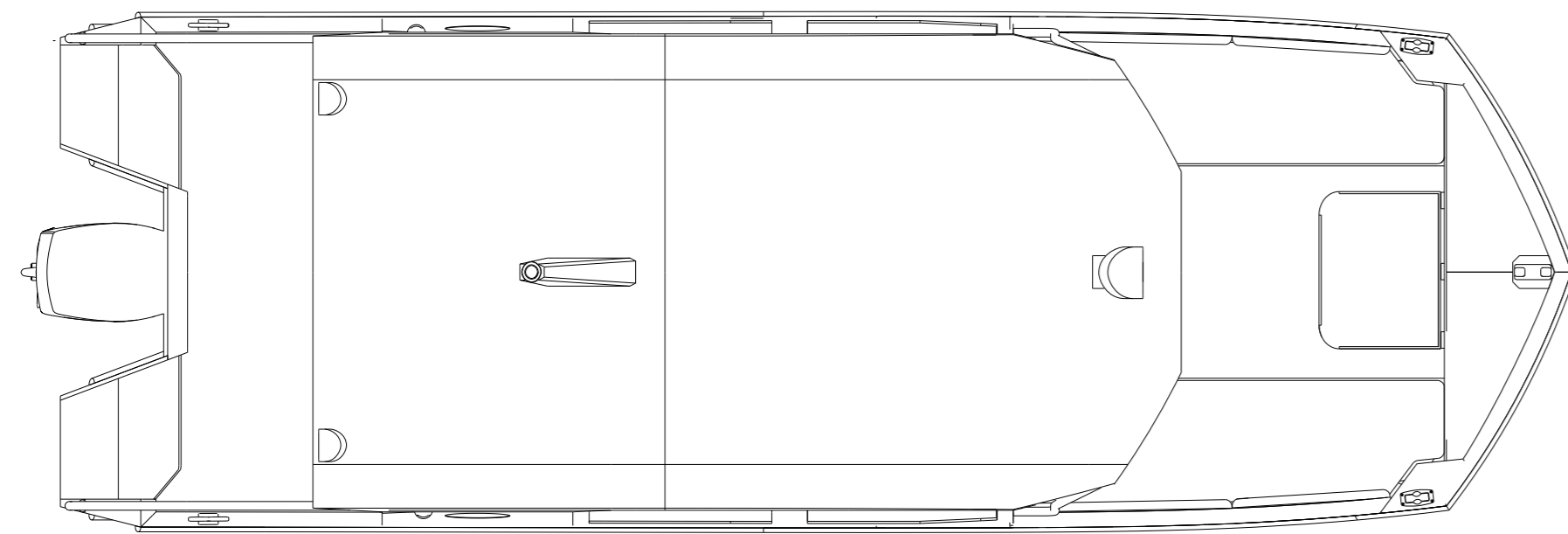
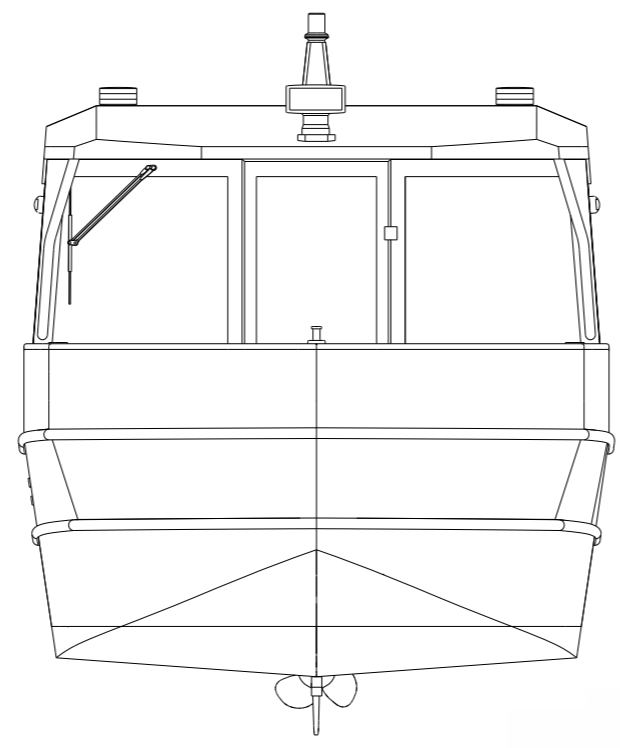
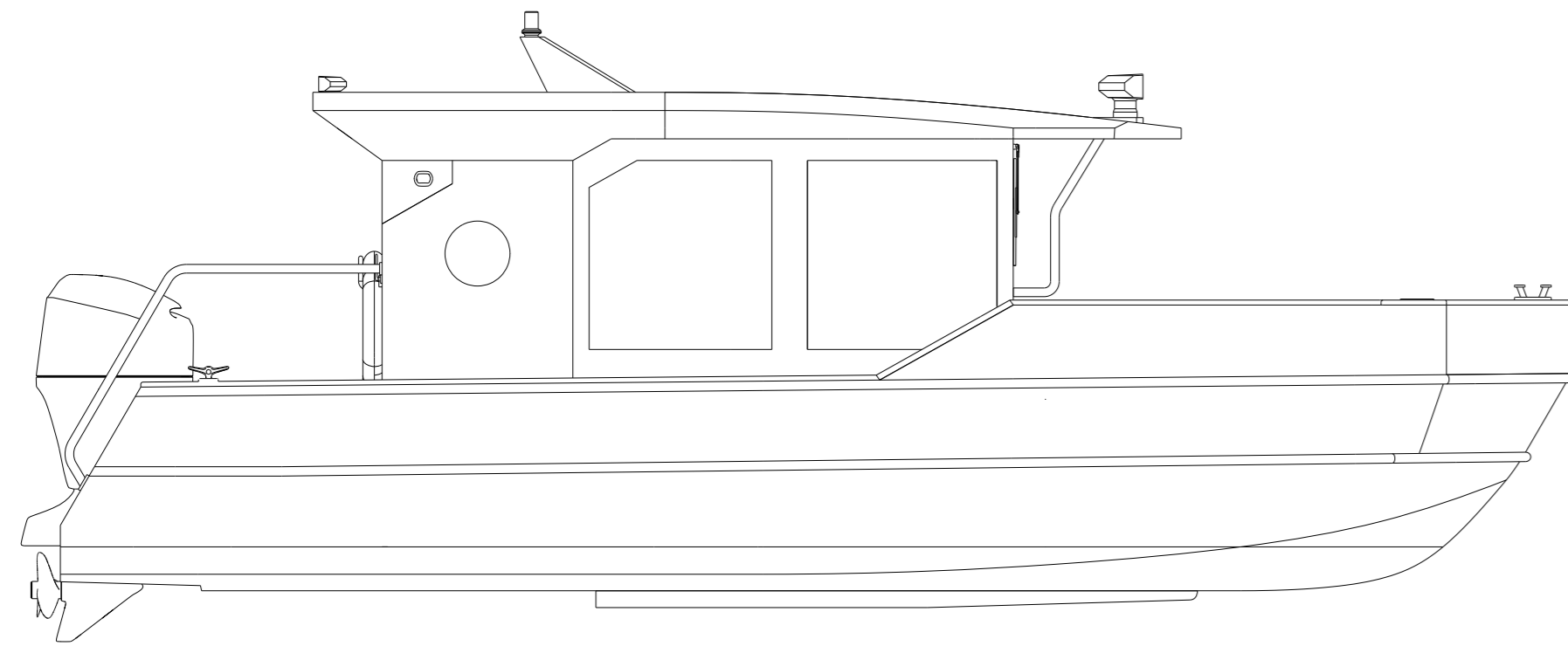
Salon 1 - 9 seats + 2 sofas

open boat



Salon 1 - 9 seats + 2 sofas
Visor 1- Short

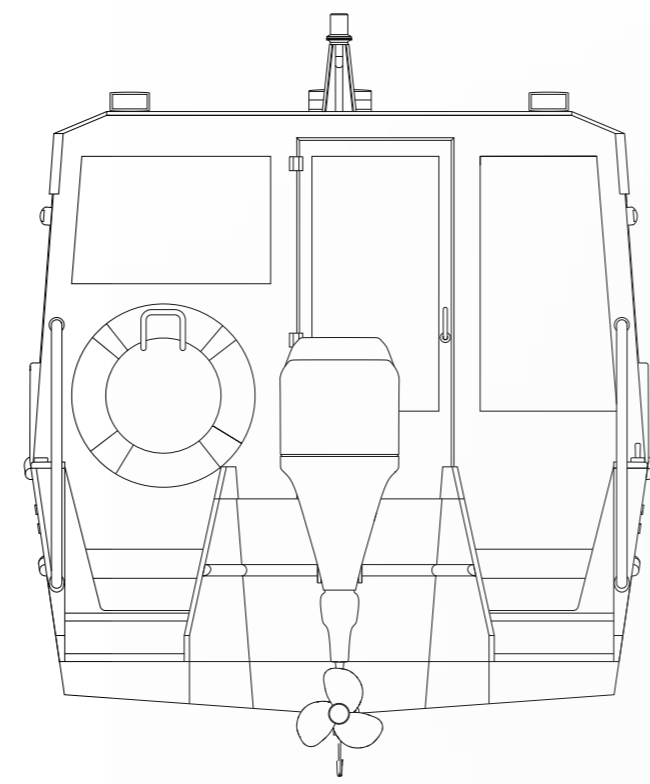
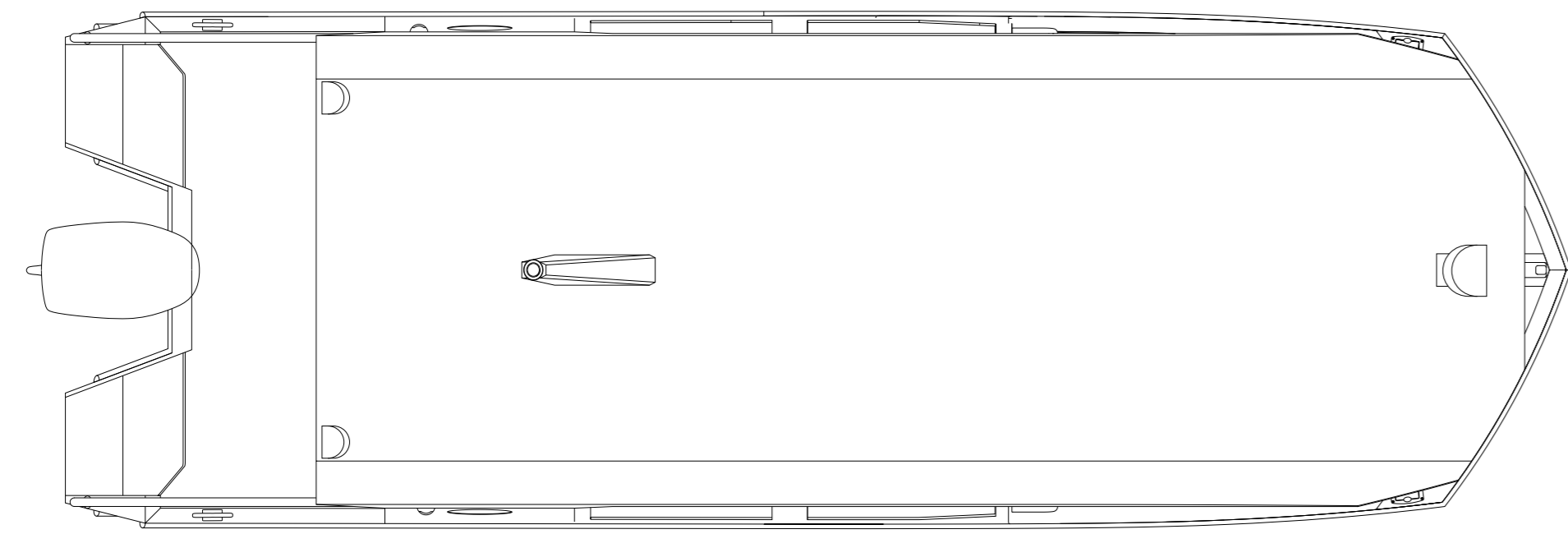
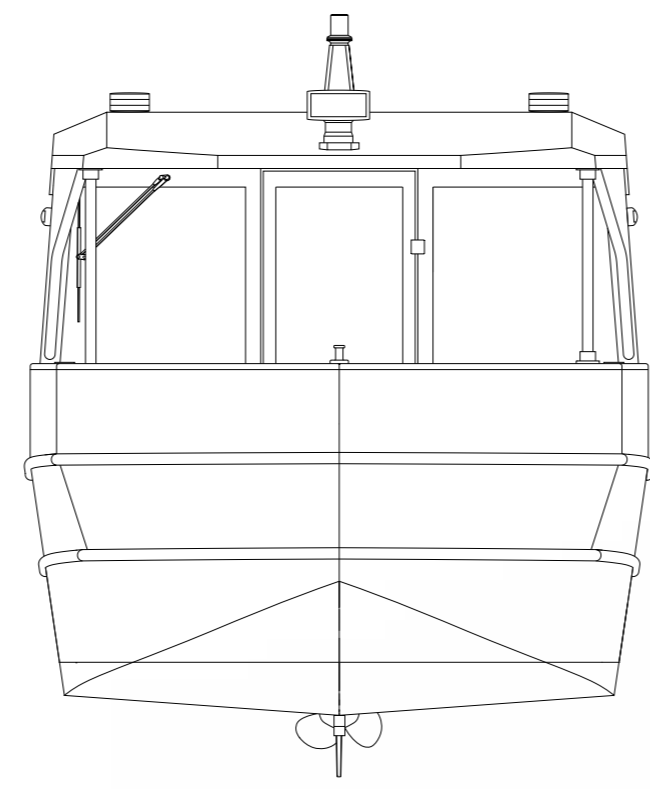
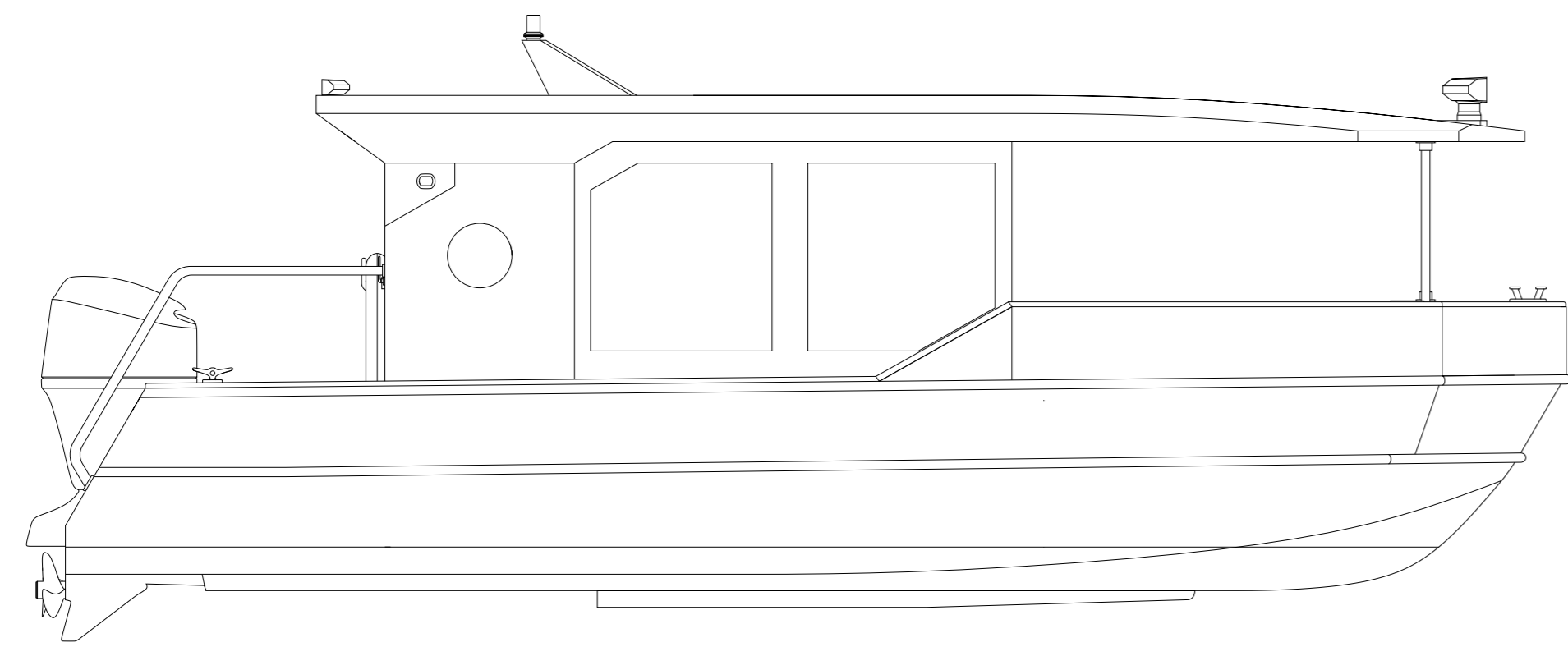
Houseboat



Salon 2-4 sofas + Sink, stove and bathroom

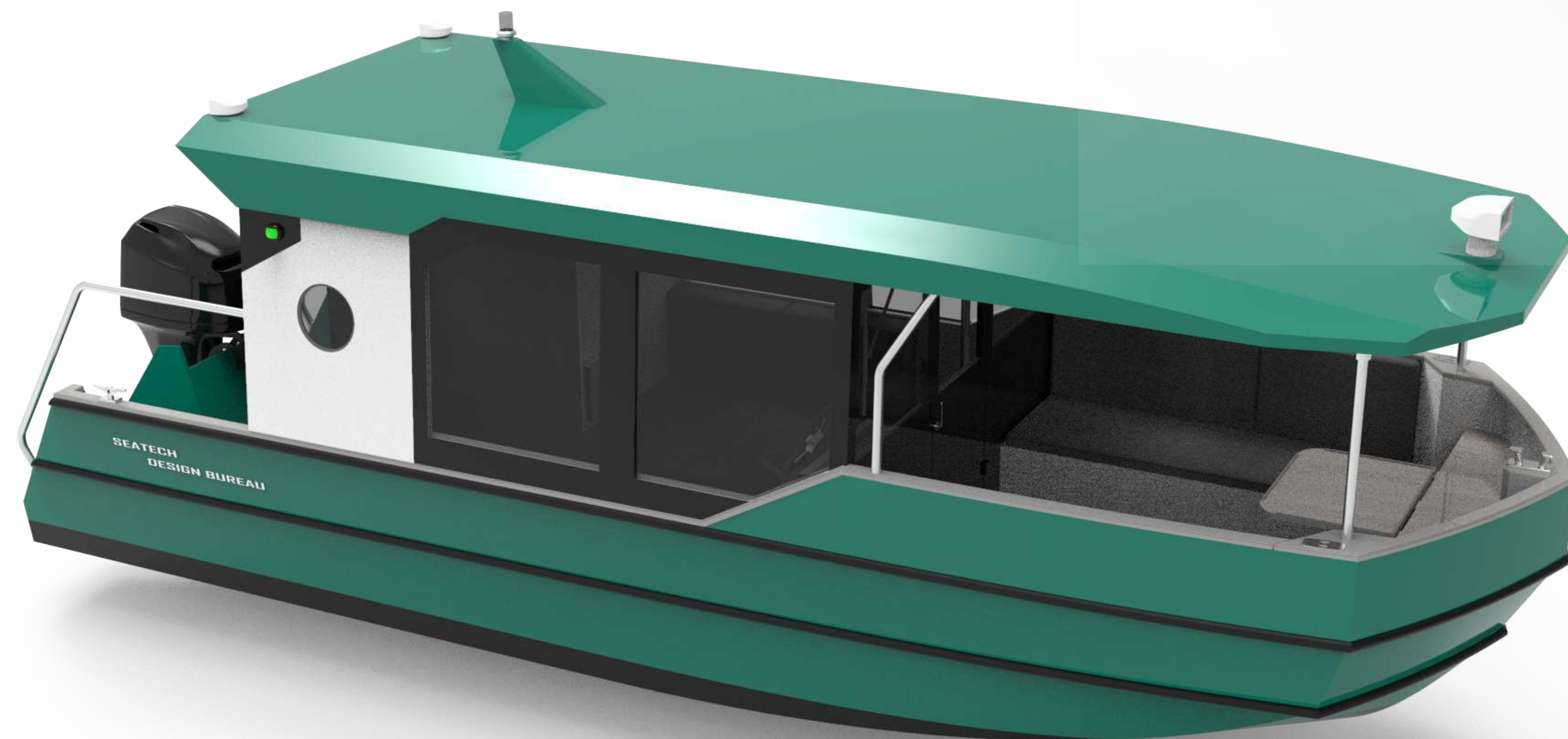
Visor 1- Short

Houseboat

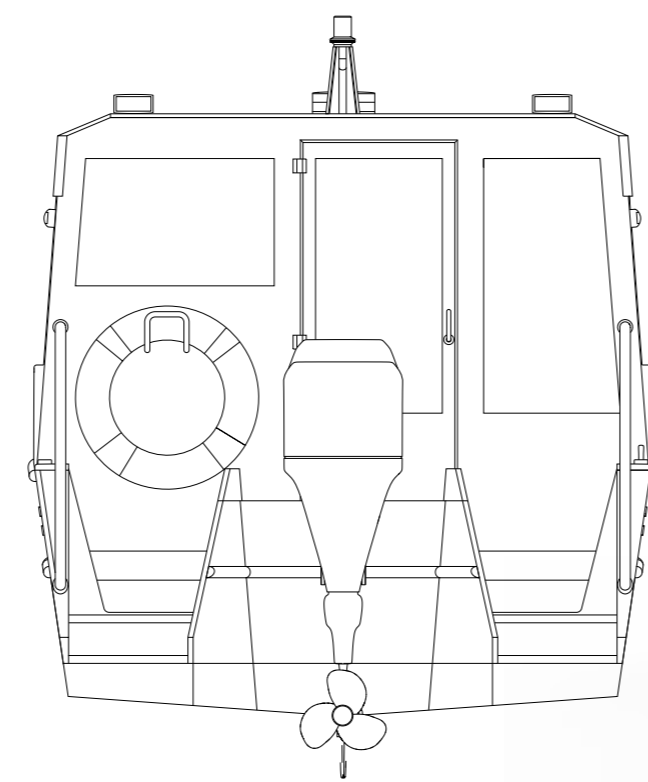
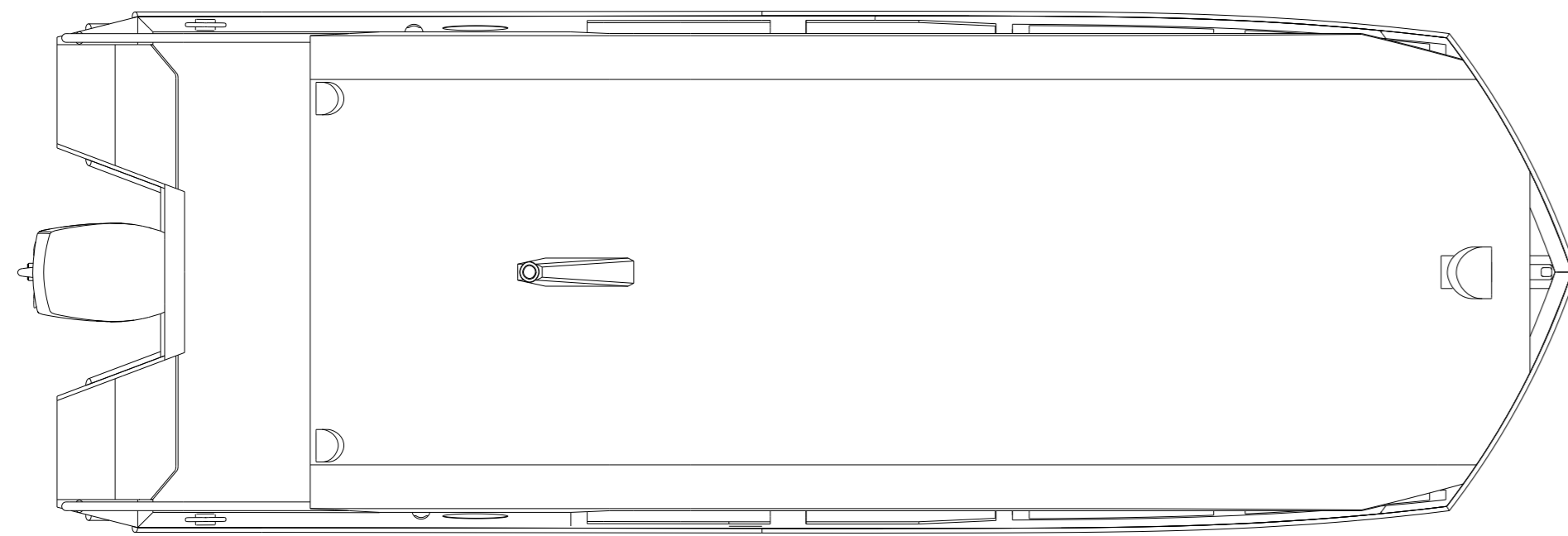
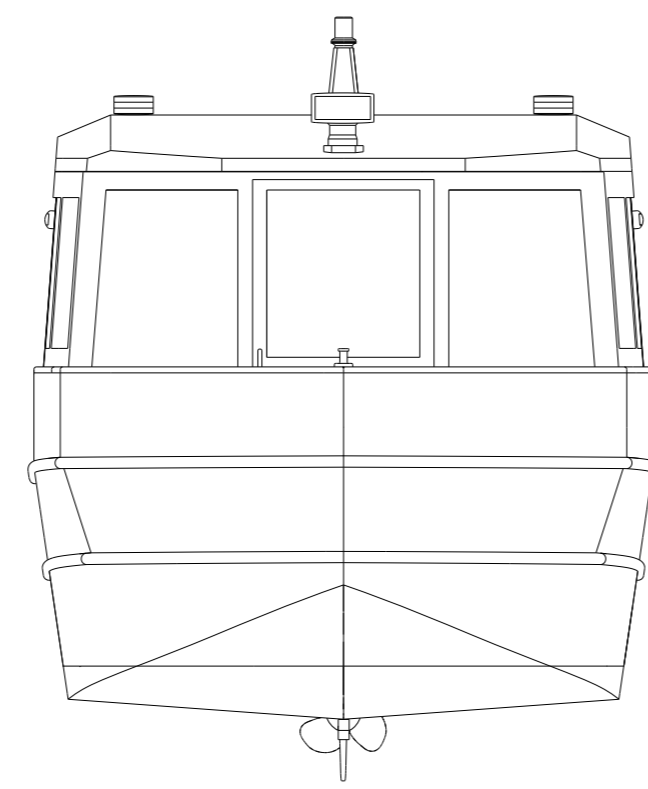
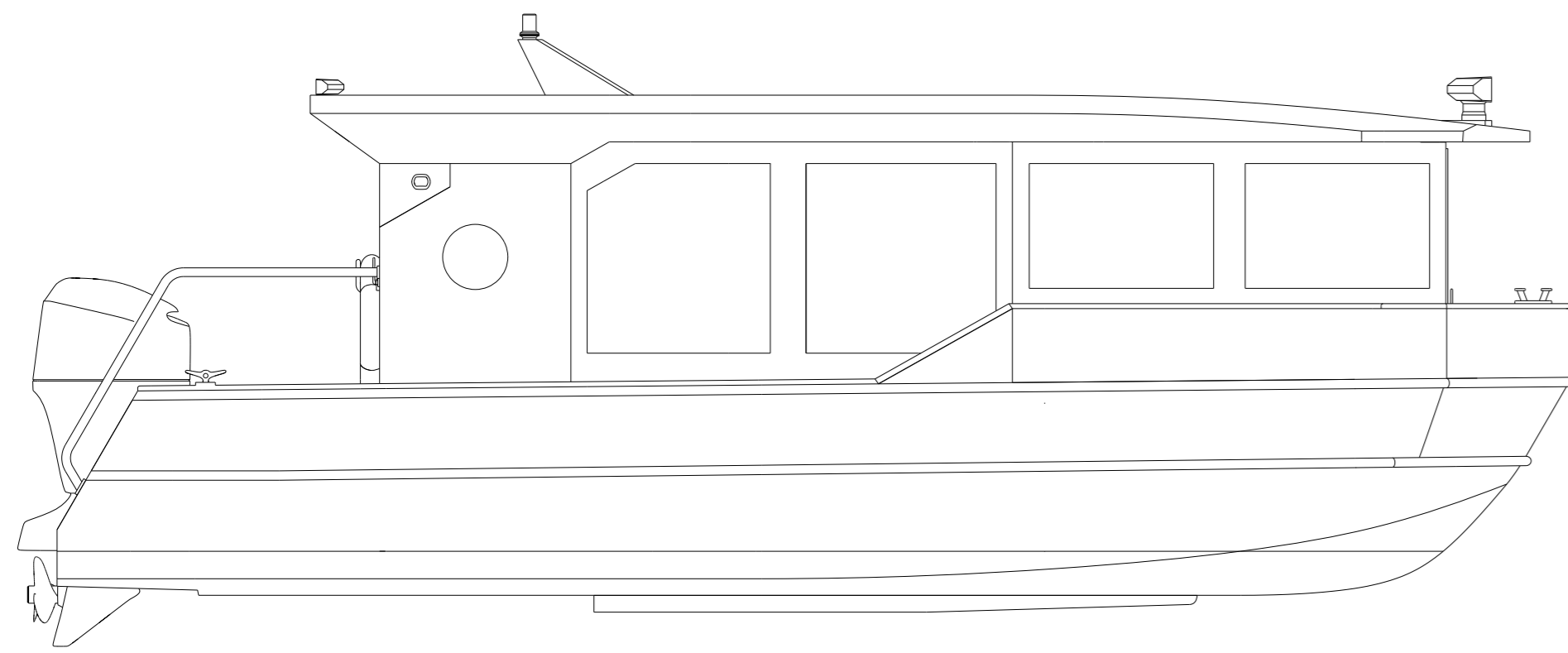


Salon 2-4 sofas + Sink, stove and bathroom

Visor 2 - Long

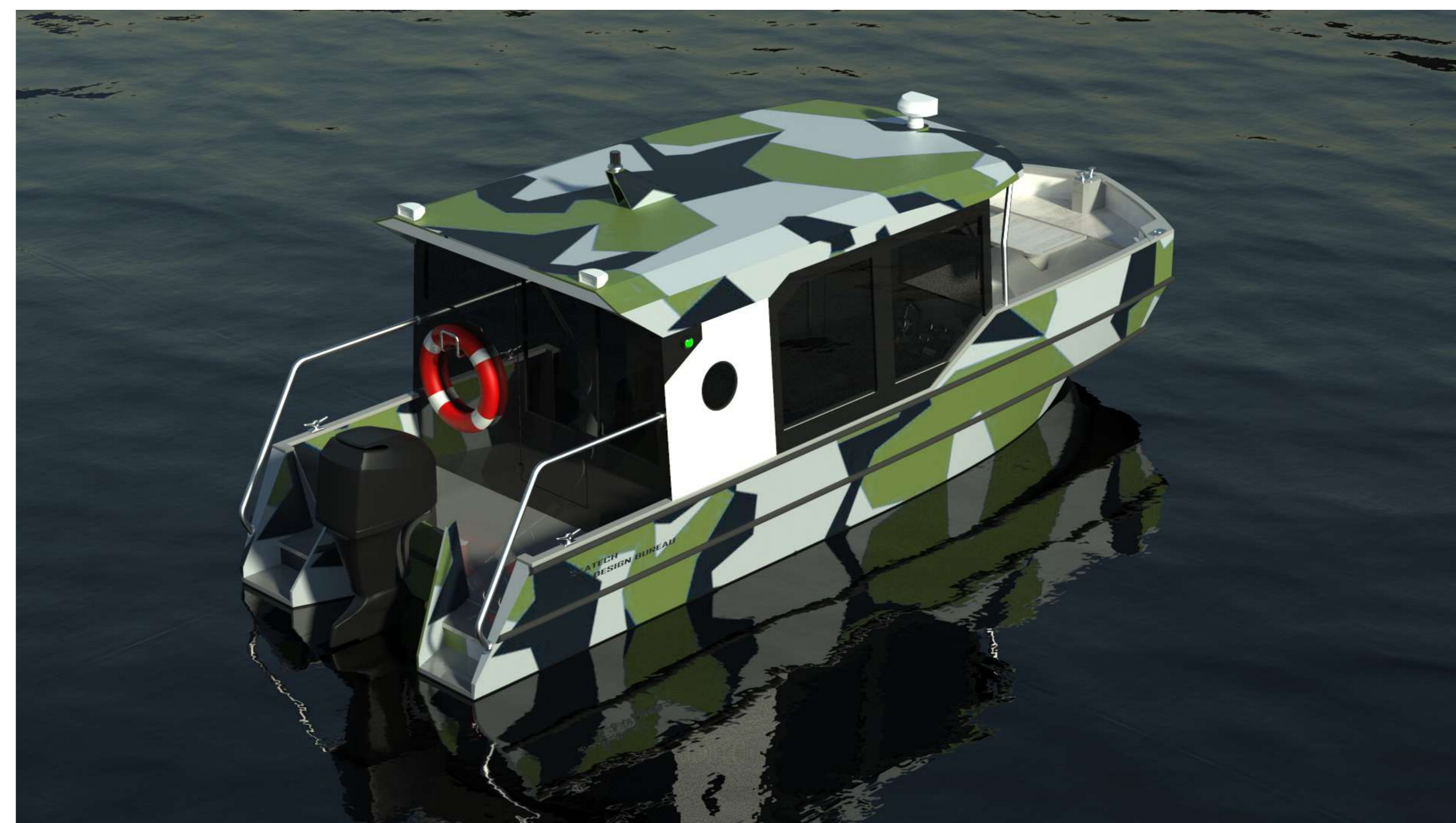
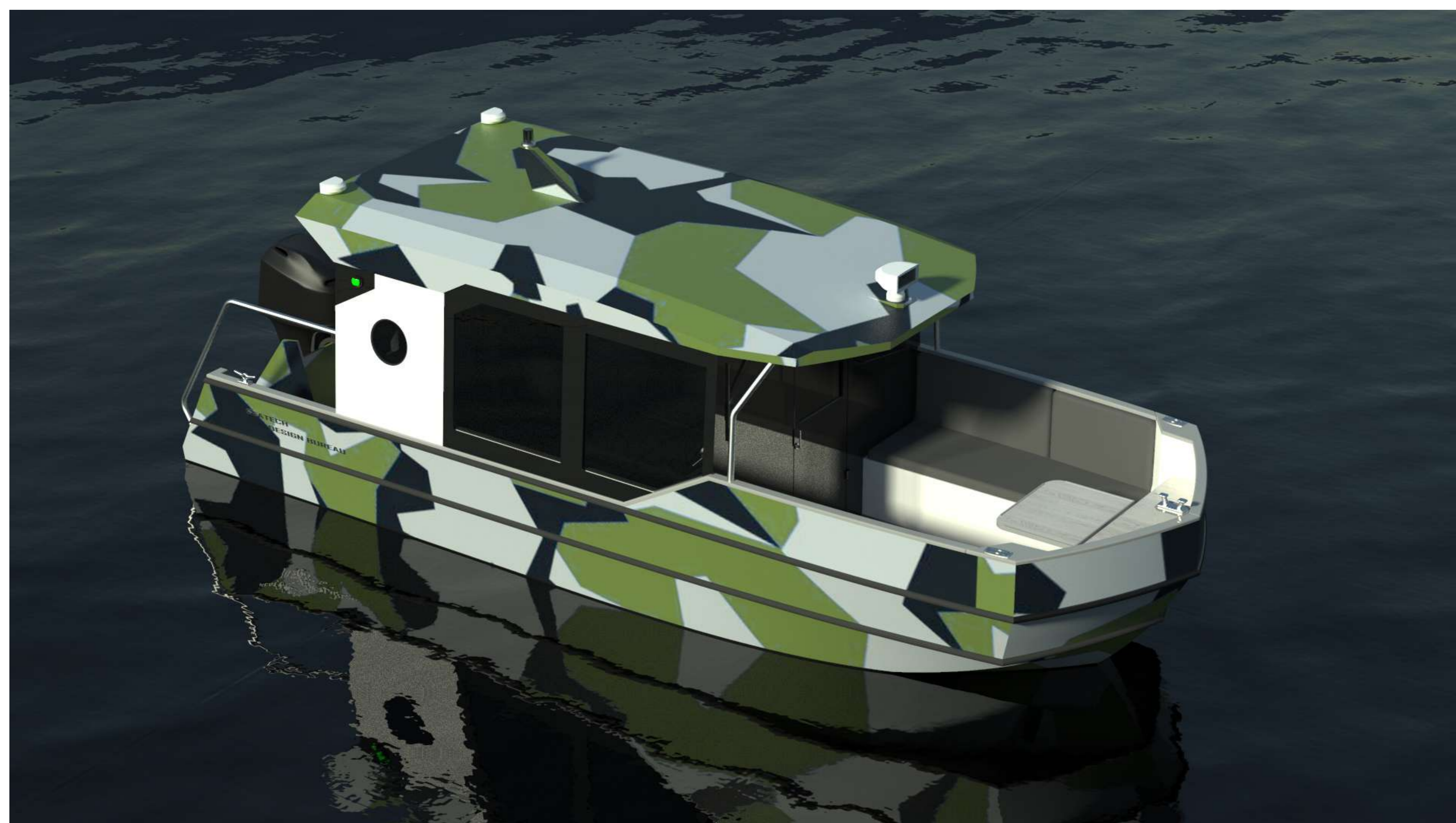
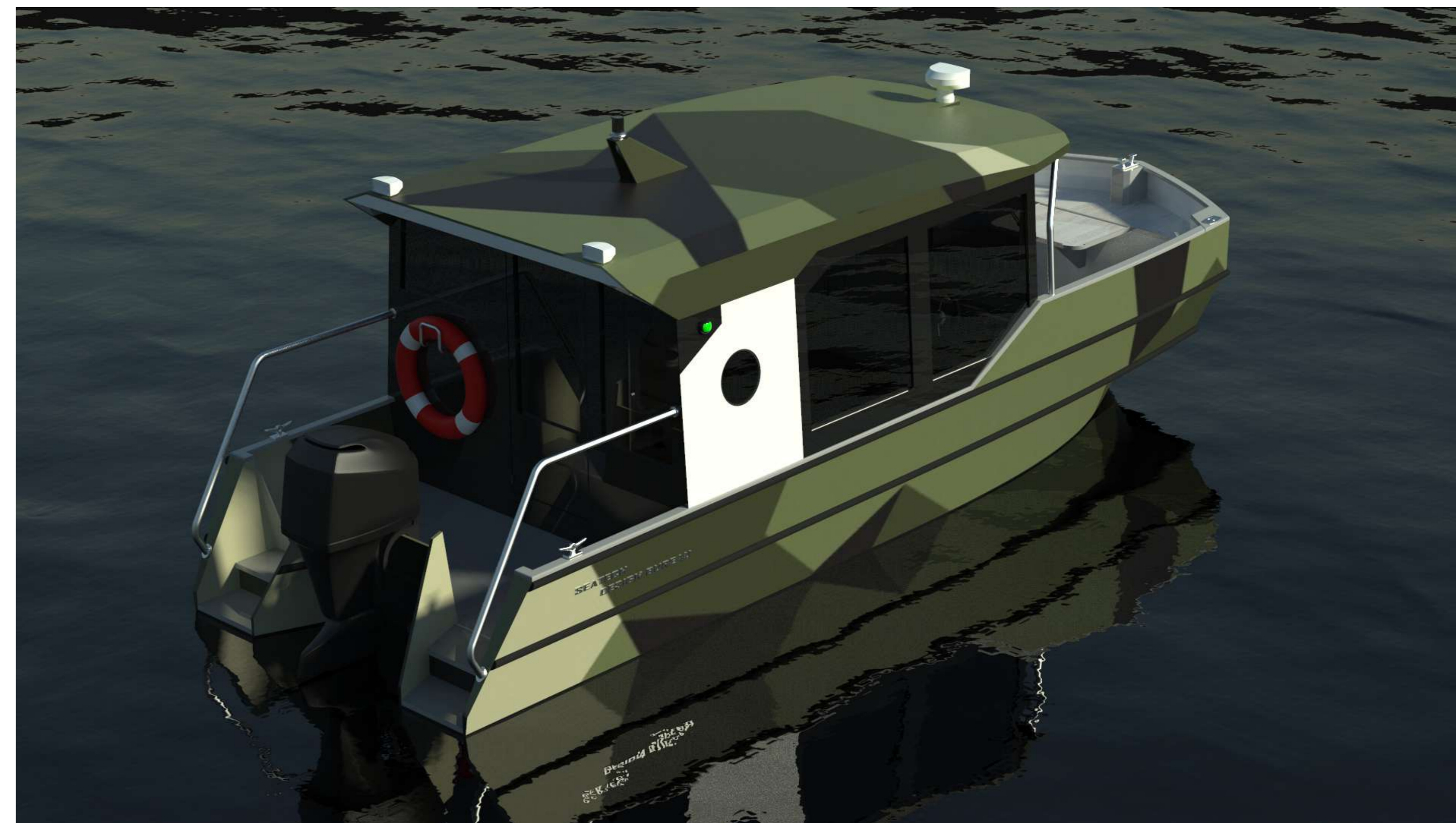


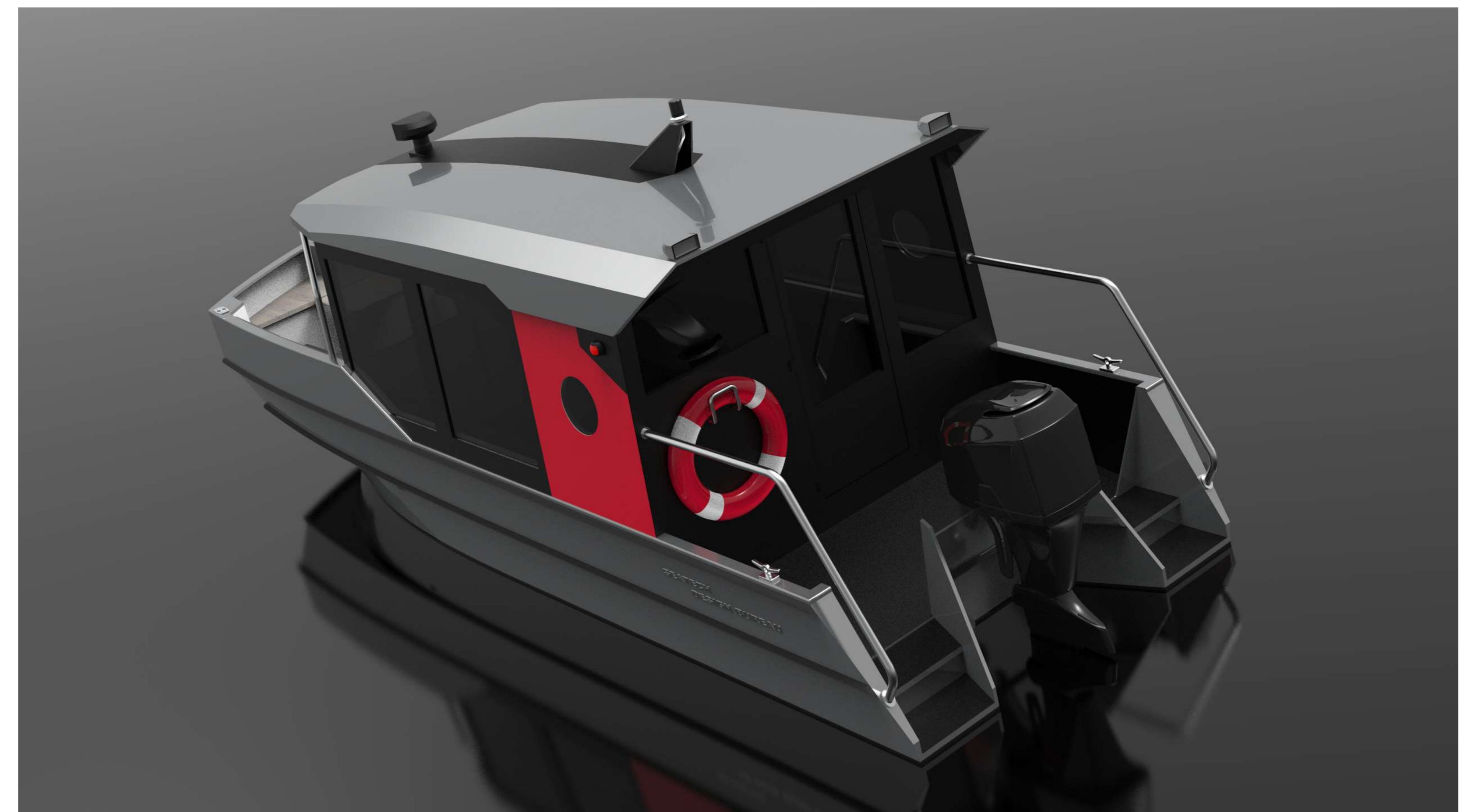
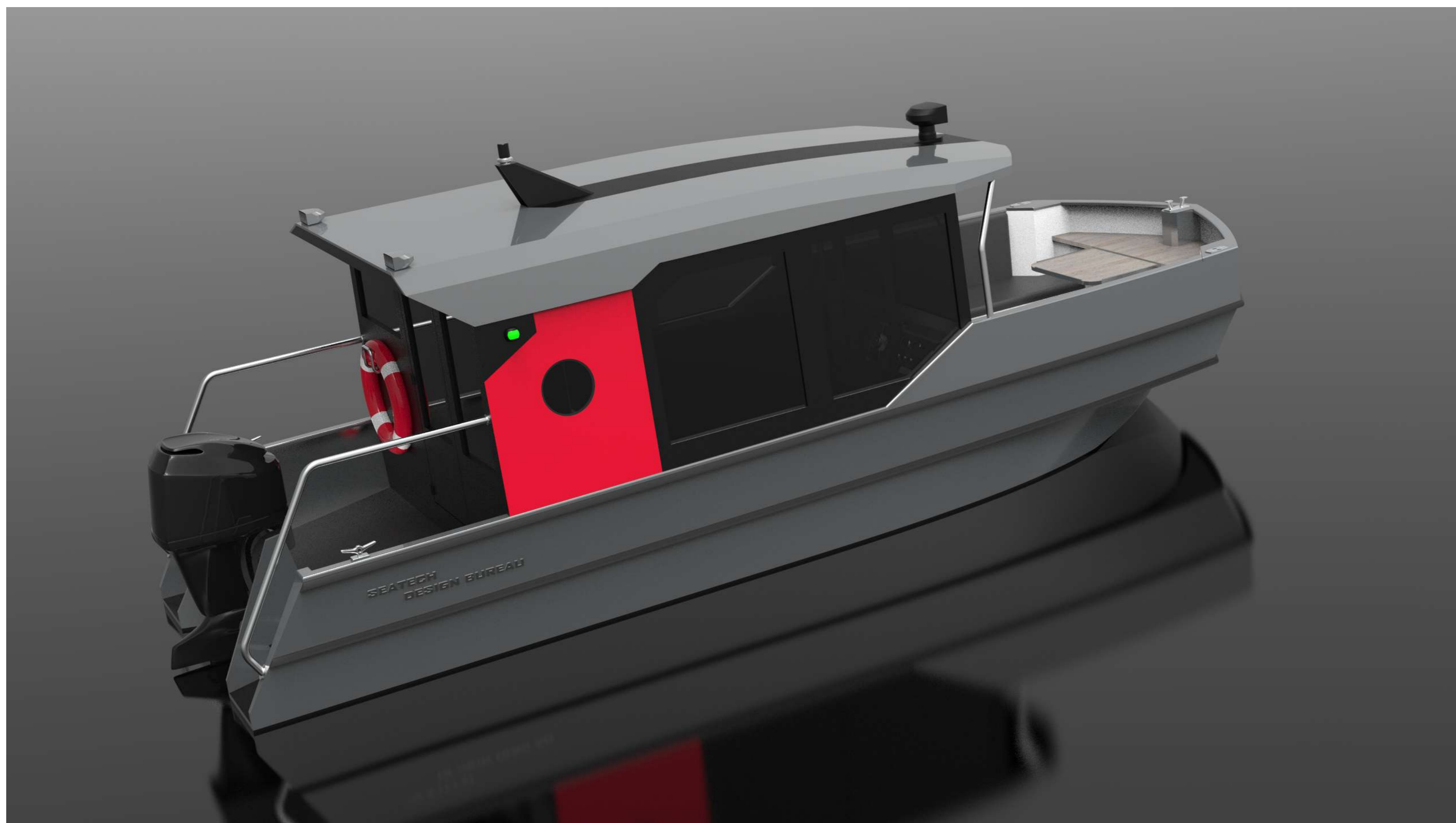
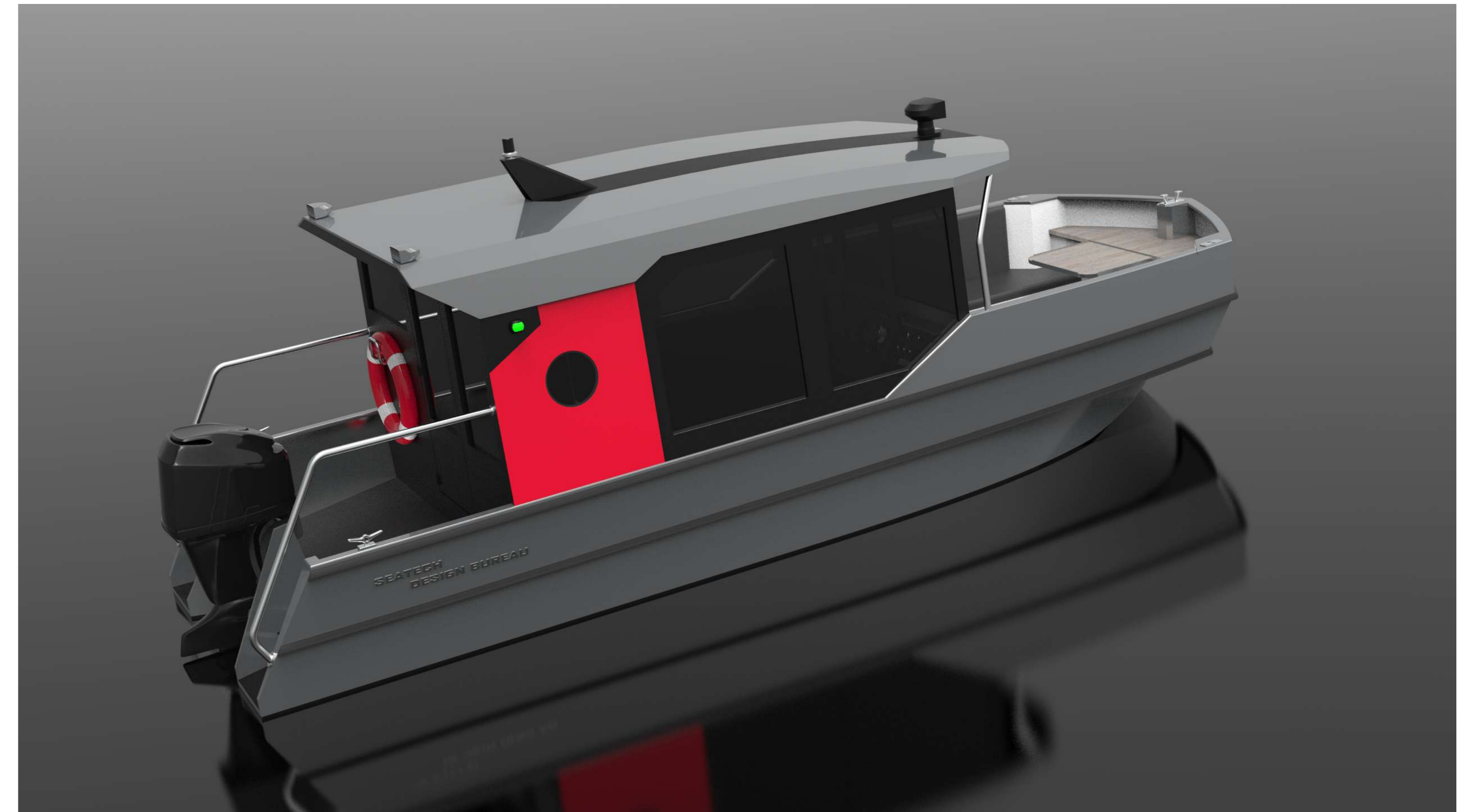
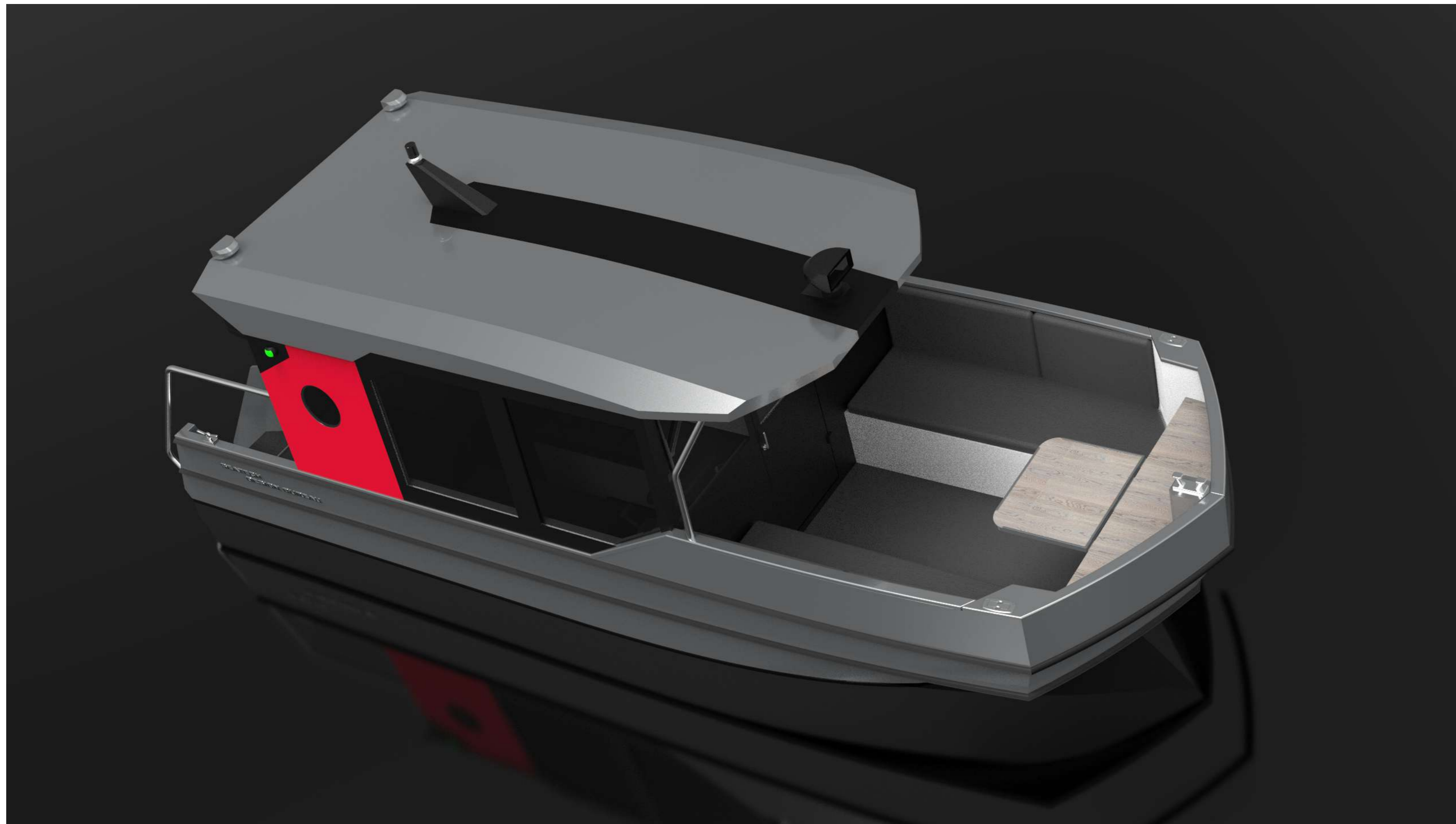
Houseboat



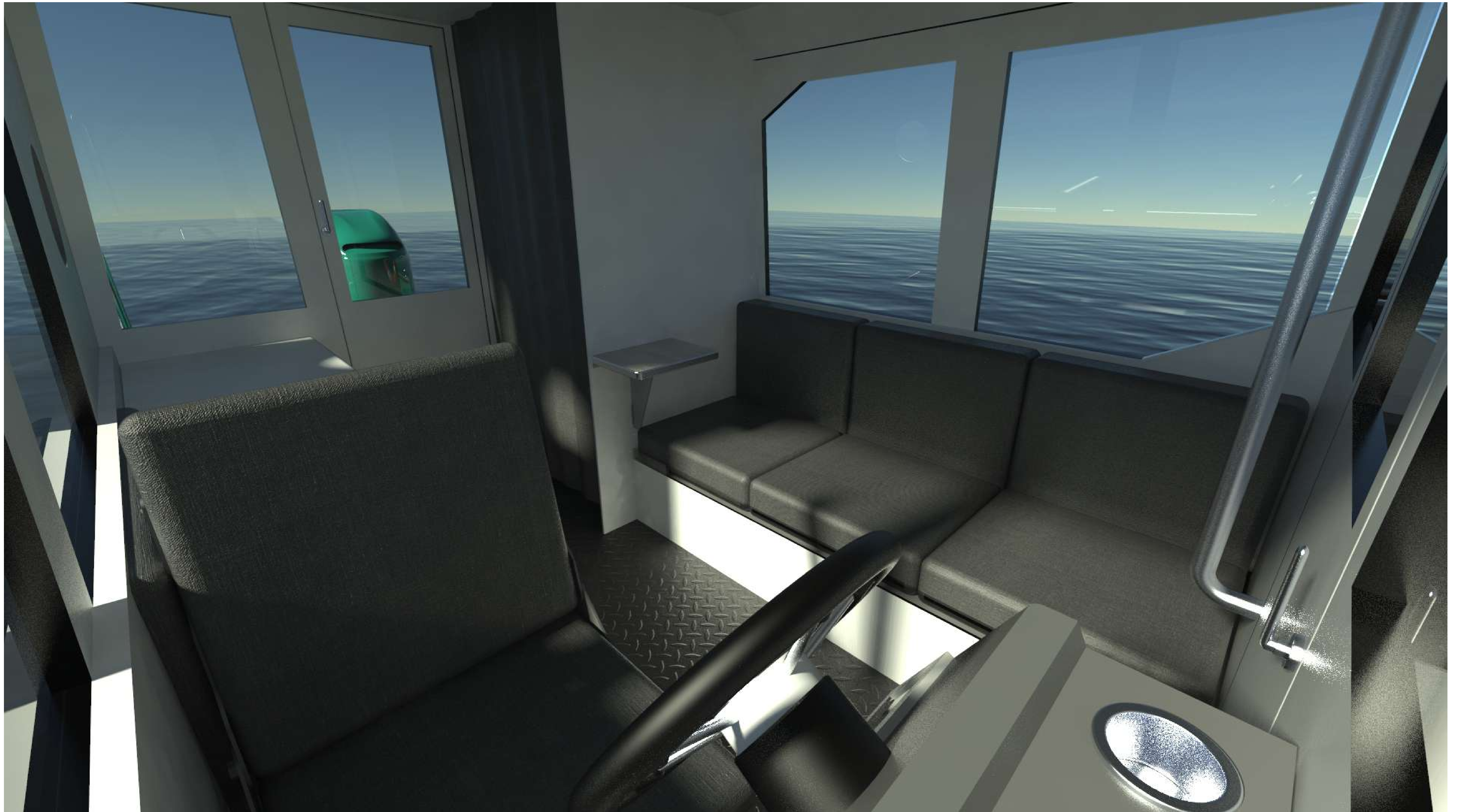
Salon 2-4 sofas + Sink, stove and bathroom

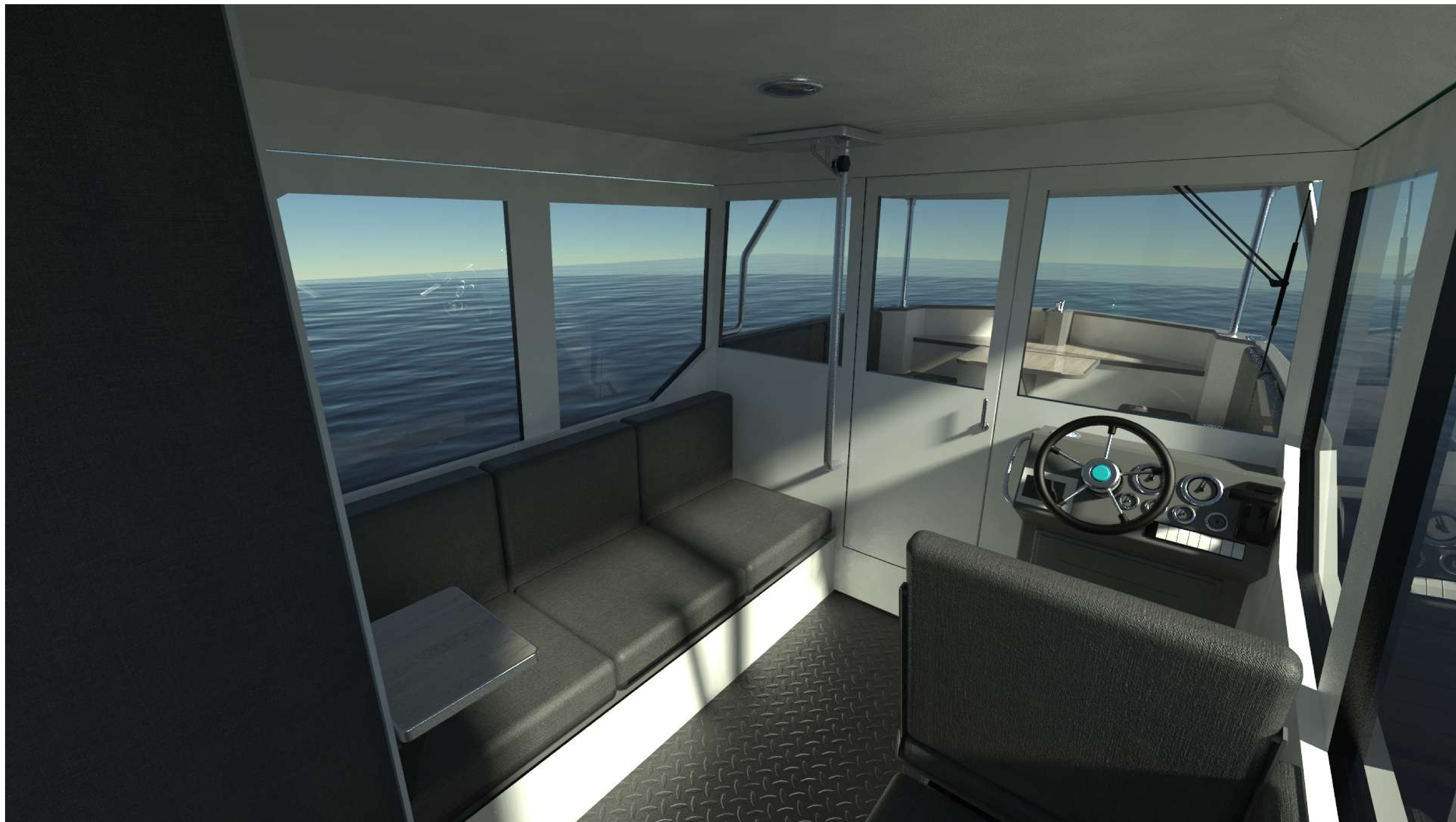
Visor 2 - Long

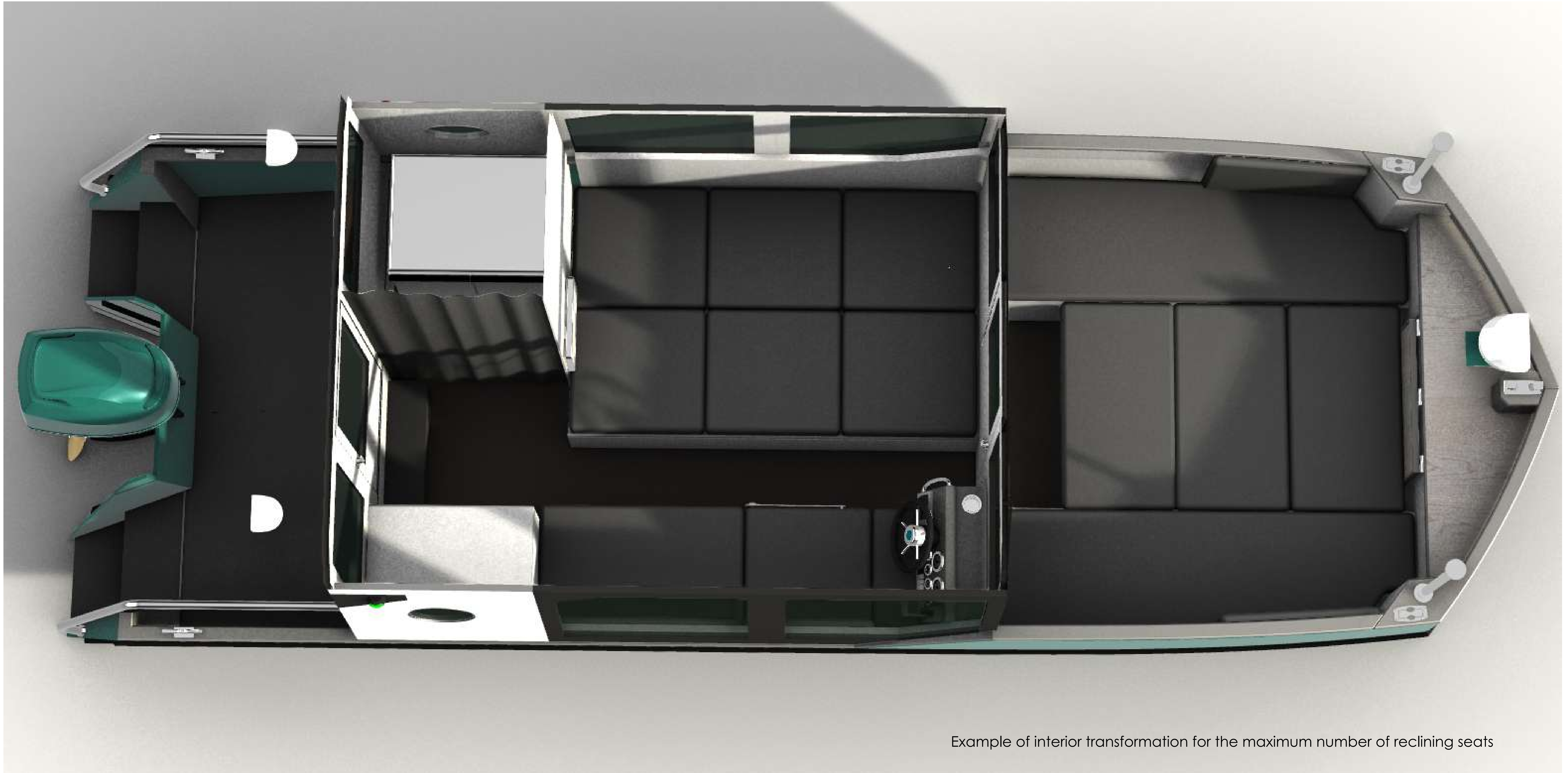












Example of interior transformation for the maximum number of reclining seats